

The KYTOLA® Oval Gear Meter Model SR is designed and developed for lubrication oil measurement in demanding industrial environments.

The Model SR oval gear meter is a positive displacement meter which always shows the correct flow rate regardless of oil temperature or viscosity changes.



- For oil
- Single or multi-channel models
- Max. 120 L/min
- Kytola coil or NAMUR sensors
- NPT or G thread connectors
- Flow adjustment valves
- ATEX version (II 2GD c TX) as option



ISO 9001 ISO 14001

OVAL GEAR METER SR

FEATURES

Large viscosity range
30 – 1 000 cSt

Independent of viscosity and
temperature changes

Transparent cover provides highly
visible oil flow indication

Pulse output

Sturdy construction

By-pass valves for service
“on the run”

TYPICAL APPLICATIONS

Lubrication oil flow monitoring

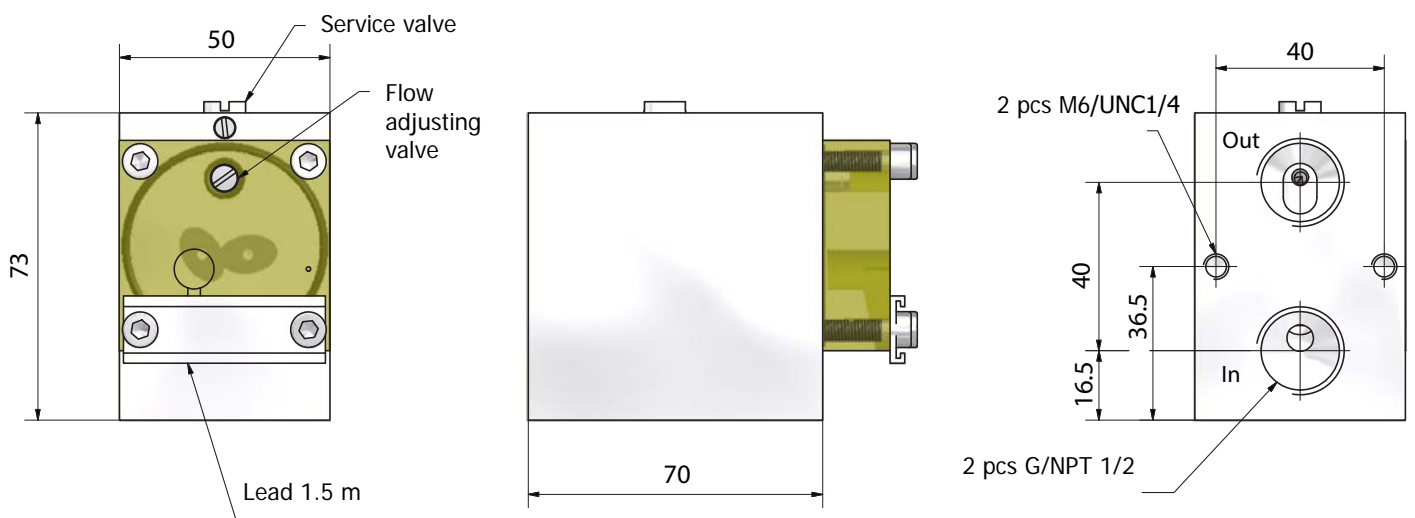
Industrial flow monitoring

Process control

SR-x Single Channel

TECHNICAL DATA

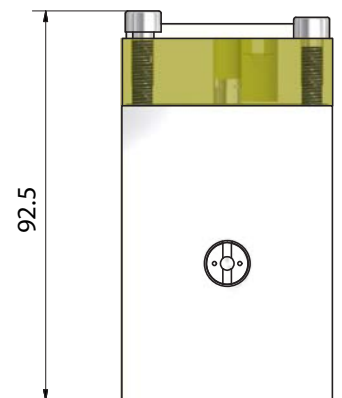
Model	SR-1	SR-2.5	SR-6
Output pulses/liter	2100	1062	290
Connections G/NPT	1/2"	1/2"	1/2"
Weight	0.6 kg	0.6 kg	0.6 kg
Gears	Composite polymer		
Body	Aluminium		
Cover	Polyamide		
Valve	AISI 316		
Seals	Viton®		
Sensor	Kytola coil (compatible with Kytola measuring stations) or NAMUR; EN 60947		
Max. pressure	10 bar (20 bar*)		
Max. temperature	+80°C		
Viscosity range	30–1000 cSt		
Accuracy	±5% of reading		* Special construction on request



SR- -8850- S 		
Flow Range		
0.1 – 1	L/min	1
0.2 – 2.5	L/min	2.5
0.6 – 6	L/min	6
Connections		
G threads	empty	
NPT threads	N	
Sensor		
Kytola coil (Compatible with Kytola measuring stations)	empty	
NAMUR	A	
Without sensor (M12 x 1 thread)	D	
Service valve (standard)		
Special Feature		
ATEX version – only with NAMUR sensor		Z
Please choose options A and Z		

Standard feature: leave *empty*
 Special feature: choose Character

SR-2.5



SR Single Channel

TECHNICAL DATA

Model	SR-10	SR-20	SR-30	SR-60	SR-120
Output, pulses/liter	126.8	75.8	49.8	22.4	17.6
Connections G/NPT	1"	1"	1"	1½"	1½"
Weight	1.7 kg	1.9 kg	2.6 kg	5.0 kg	5.0 kg
Gears	Bronze; EN 1982				
Body	Aluminium				
Cover	Polyamide				
Valve spindle	AISI 316				
Seals	Viton®				
Sensor	Kytola coil (compatible with Kytola measuring stations) or NAMUR; EN 60947				
Max. pressure	10 bar (20 bar*)				
Max. temperature	+80°C				
Viscosity range	30–1000 cSt				
Accuracy	±5% of reading				

* Special construction on request

SR- [] [] [] [] [] []

Flow Range		
1 – 10	L/min	10
2 – 20	L/min	20
3 – 30	L/min	30
6 – 60	L/min	60
10 – 120	L/min	120

Connection Type		
End connections (SR-10...SR-60)		7844
Back connections (SR-10...SR-30)		8850
Back connections (SR-60, SR-120)		BH51

Connections		
G threads		empty
NPT threads		N

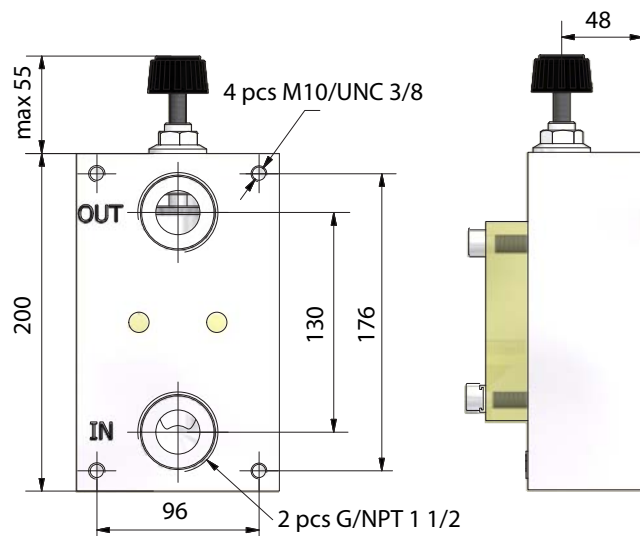
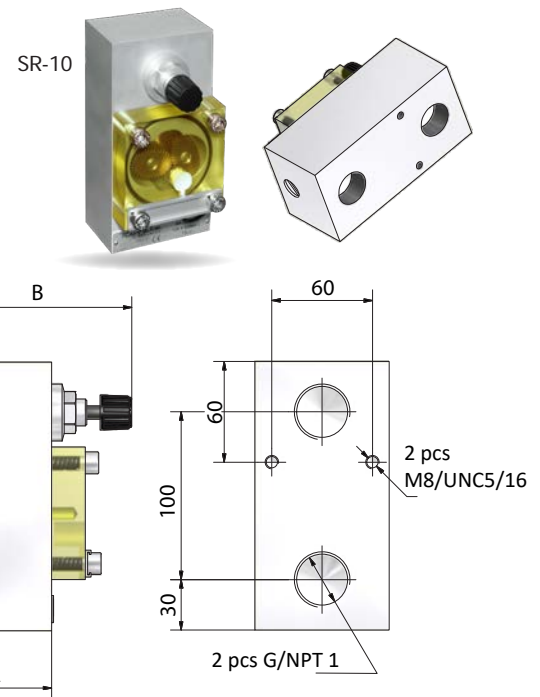
Sensors		
Kytola coil (compatible with Kytola measuring stations)		empty
NAMUR		A
Without sensor (M12 x 1 thread)		D

Special Feature		
ATEX version – only with NAMUR sensor		
Please choose options A and Z		

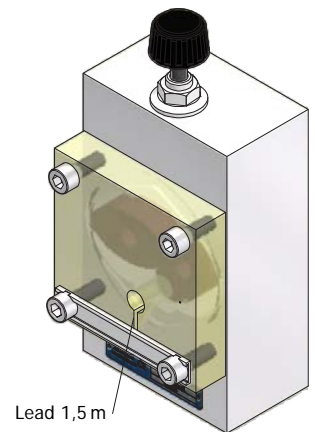
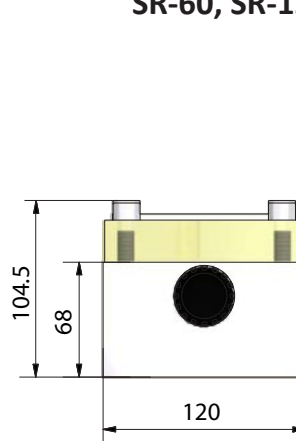
Standard feature: leave empty
Special feature: choose Character

SR-10...30

Model	A	B
SR-10	49	96
SR-20	49	96
SR-30	69	116



SR-60, SR-120



Kytola
INSTRUMENTS

www.kytola.com

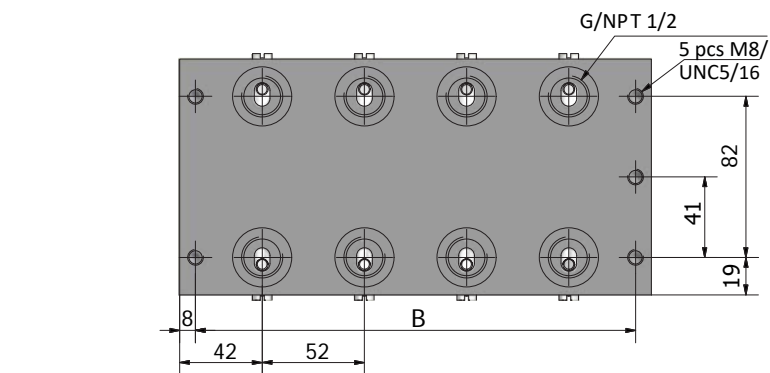
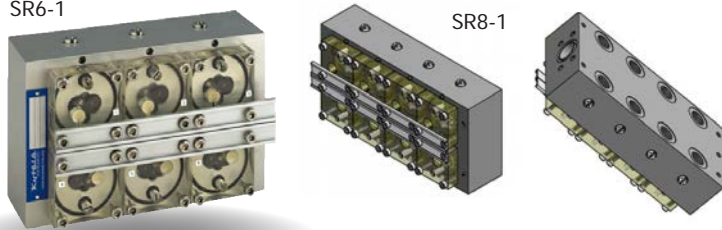


Kytola Instruments Oy
Olli Kytölän tie 1
FI-40950 Muurame, Finland
Tel. +358 20 779 0690
Fax +358 14 631 419
E-mail info@kytola.com

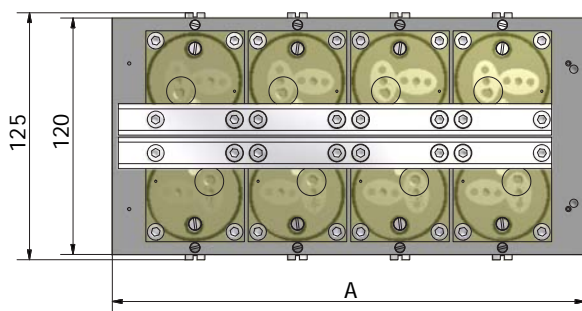
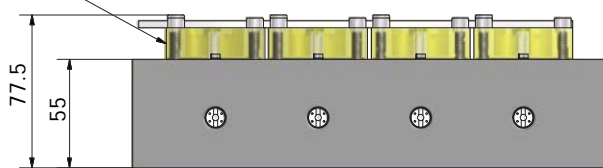
Model	SRx-1	SRx-2.5	SRx-6
Output pulses/liter	2100	1062	290
Connections G/NPT	1/2"	1/2"	1/2"
Weight	SR4: 2.5 kg	SR6: 3.5 kg	SR8: 4.5 kg
Gears	Composite polymer		
Body	Aluminium		
Cover	Polyamide		
Valve	AISI 316		
Seals	Viton®		
Sensor	Kytola coil (compatible with Kytola measuring stations) or NAMUR; EN 60947		
Max. pressure	10 bar (20 bar*)		
Max. temperature	+80°C		
Viscosity range	30–1000 cSt		
Accuracy	±5% of reading		* Special construction on request

SR6-1

SR8-1



Leads 1.5 m



x	A	B
4	136	120
6	188	172
8	240	224

SR - - MD33 - S

Multi-channel Model

4 measuring points	4
6 measuring points	6
8 measuring points	8

Flow Range

0.1 – 1	L/min	1
0.2 – 2.5	L/min	2.5
0.6 – 6	L/min	6

Sensor

Kytola coil (Compatible with Kytola measuring stations)	<i>empty</i>
NAMUR	A
Without sensor (M12 x 1 thread)	D

Connections

G threads	<i>empty</i>
NPT threads	N

Service valve (standard)

Special Feature

ATEX version – only with NAMUR sensor
Please choose options A and Z

Z

Standard feature: leave *empty*
Special feature: choose Character