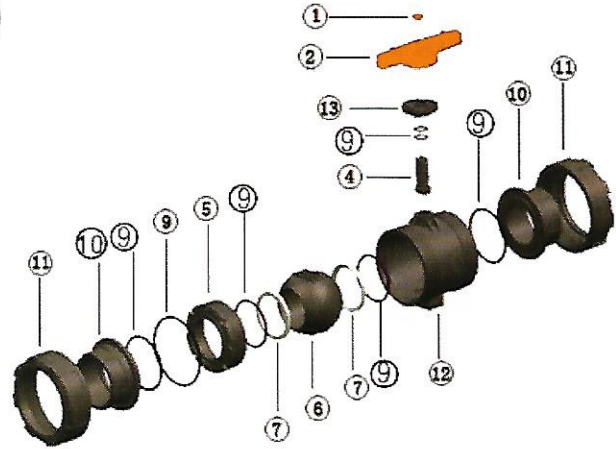




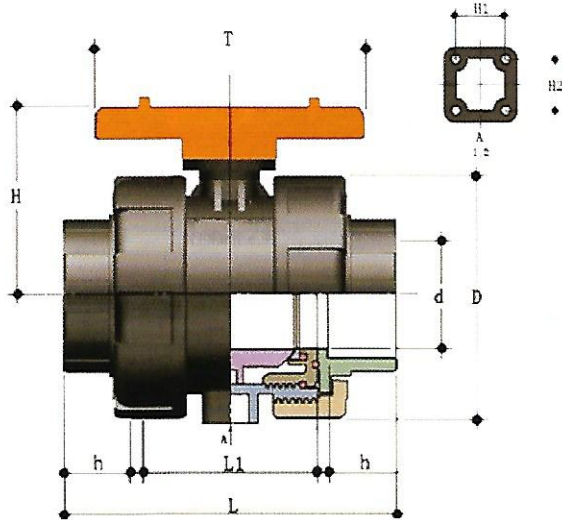
TRUE UNION BALL VALVE

Size : 2-1/2" - 4"
 Joint End : Socket(ANSI/CNS/DNS/JIS)
 : Threaded(PT/NPT/BSPF)
 Working Pressure : 150 PSI



Specification of material

| NO. | PART | MATERIAL | Q'TY |
|-----|-----------------|--------------|------|
| 1 | HANDLE CAP | ABS | 1 |
| 2 | HANDLE | ABS | 1 |
| 4 | STEM | UPVC/CPVC/PP | 1 |
| 5 | THREADED SPACER | UPVC/CPVC/PP | 1 |
| 6 | BALL | UPVC/CPVC/PP | 1 |
| 7 | BALL SEAT | TEFLON | 2 |
| 9 | ORING | EPDM/VITON | 7 |
| 10 | UNION END | UPVC/CPVC/PP | 2 |
| 11 | UNION NUT | UPVC/CPVC/PP | 2 |
| 12 | BODY | UPVC/CPVC/PP | 1 |



Dimensions

Unit: mm

| SIZE | Nom. | d 1 | | | | d 2 | | | |
|---------------|------|--------|--------|--------|--------|--------|--------|--------|--------|
| | | ANSI | DIN | JIS | CNS | ANSI | DIN | JIS | CNS |
| DN65 (2 1/2") | | 73.38 | 75.30 | 76.60 | 76.70 | 72.85 | 74.80 | 75.87 | 75.90 |
| DN80 (3") | | 89.31 | 90.40 | 89.60 | 89.80 | 88.70 | 89.80 | 88.83 | 88.90 |
| DN100 (4") | | 114.76 | 110.40 | 114.70 | 115.00 | 114.07 | 109.80 | 113.98 | 113.80 |

Dimensions

Unit: mm

| Size | Nom. | D | H | h | L | L1 | T | H1 | H2 | Operating torque(N · M) |
|---------------|------|--------|--------|-------|--------|--------|--------|-------|-------|-------------------------|
| DN65 (2 1/2") | | 148.00 | 132.00 | 46.00 | 234.00 | 120.50 | 170.00 | 35.00 | 35.00 | 12.0 |
| DN80 (3") | | 178.20 | 156.00 | 55.00 | 258.50 | 139.50 | 221.00 | 35.00 | 35.00 | 16.0 |
| DN100 (4") | | 218.90 | 173.00 | 65.00 | 309.00 | 165.00 | 250.00 | 35.00 | 35.00 | 25.0 |