

## Air operated Pinch Valves type VT

Aluminium design with semi-silo trailer connection acc. to DIN28459



Free passage  
Optimum tightness  
Low resistance  
No plugging  
Low weight  
Easy maintenance

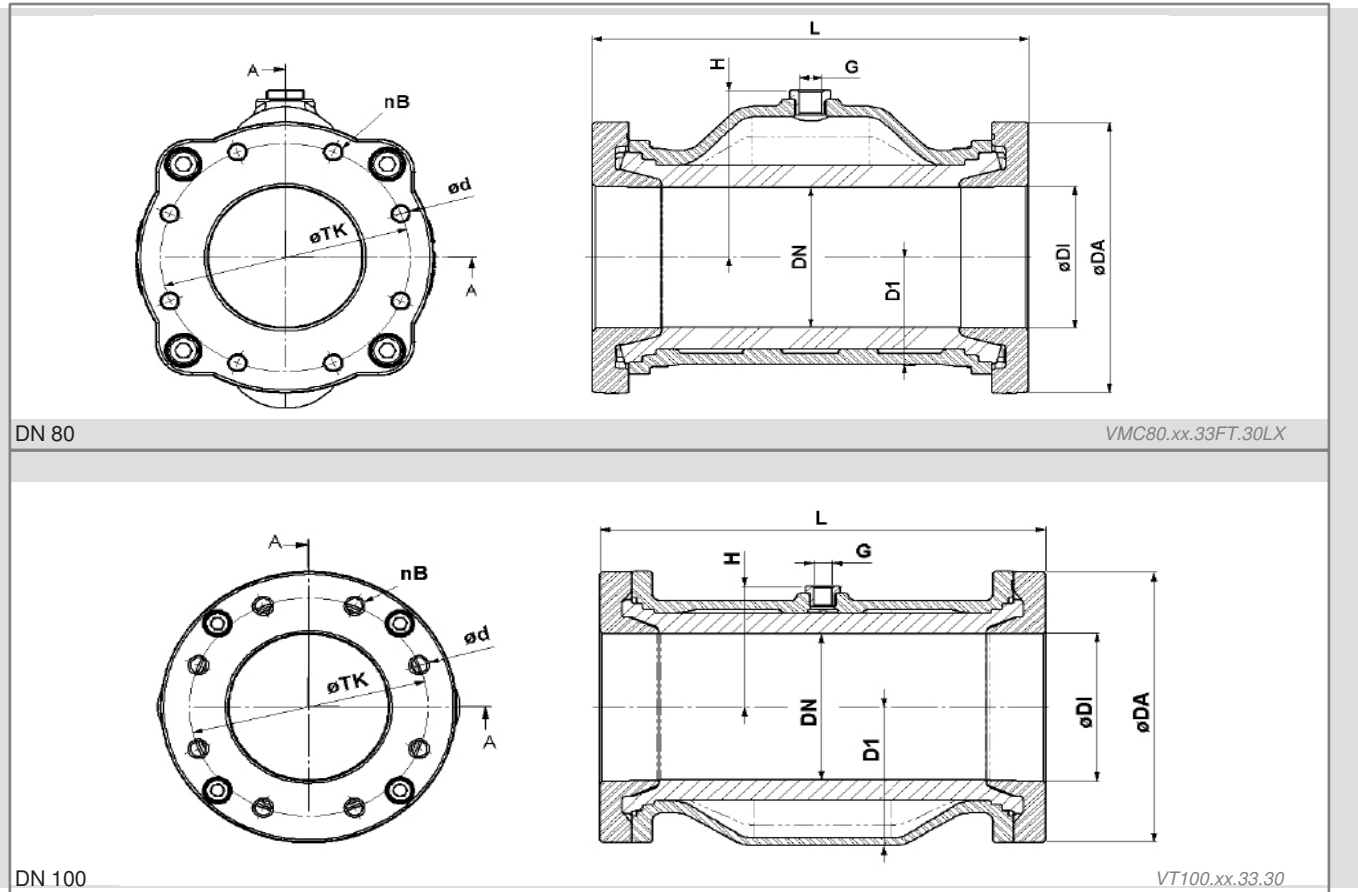
 The ideal valve solution for abrasive, corrosive and fibrous products like granules, powders, solids of all kinds and so on.

### Industrial areas:

- Silo-trailers
- Semi-trailers
- Haul trucks



# Air operated Pinch Valves type VT



| DN/DI<br>(mm, [inch]) | DA<br>(mm) | D1<br>(mm) | d<br>(mm) | nB | screws | TK<br>(mm) | L<br>(mm) | H<br>(mm) | G<br>(inch) | PS max<br>(bar, [psi]) | weight<br>(kg) | Volume (l)*<br>(approx) |
|-----------------------|------------|------------|-----------|----|--------|------------|-----------|-----------|-------------|------------------------|----------------|-------------------------|
| 80 [3]                | 154,5      | 80         | M10x1,5   | 8  | 4      | 130        | 227       | 95        | G 1/4"      | 6 [90]                 | 4,1            | 0,88                    |
| 100 [4]               | 185        | 100        | M12x1,75  | 8  | 4      | 150        | 280       | 83        | G 1/4"      | 6 [90]                 | 6,1            | 1,5                     |

Volume = Control volume with closed sleeve

## Materials:

**Valve body:** Aluminium unpainted, (DN80 painted)

**Flange:** Aluminium unpainted

**Sleeves:** Natural rubber (NR) anti-abrasive, NR food quality, NR high temp., NBR, NBR food quality, EPDM, EPDM food quality, CR, IIR, CSM

**Accessories:** Solenoid valves, pressure switch, safety arrangement, vacuum unit etc.

*Pinch Valve Accessories to be found on our data sheet  
"Z01"-Pinch Valve Accessories.*

Technical details subject to change without notice.



**Basecamp Process Components, LLC**

8055-C Corporate Blvd., Plain City, Ohio 43064, USA

T: +1 614-873-8995 • E-mail: [info@akopinchvalves.com](mailto:info@akopinchvalves.com) • Web: [www.akopinchvalves.com](http://www.akopinchvalves.com)